

CUSTOMER SIGNATURE: \_\_\_\_\_

DATE: \_\_\_\_\_

IN AN EFFORT TO ENSURE ACCURACY, PLEASE REVIEW YOUR DRAWING DIMENSIONS AND FITTING SIZES FOR POSSIBLE ERRORS AND OMISSIONS. CALL WITH ANY CORRECTIONS BEFORE SIGNING THIS DRAWING. ALL TANKS DESIGNED AND/OR BUILT, IN PART OR COMPLETE, BY ALUMITANK OR ANY OF ITS PEOPLE ARE CERTIFIED FOR USE ONLY WITH DISTILLATE, HYDRAULIC, OR WATER. ANY VARIATIONS OF USE OR MODIFICATIONS OF THE TANK ARE PROHIBITED. CUSTOMER SIGNATURE ON DOCUMENT/DRAWING INDICATES AGREEMENT BY SIGNER OR RECIPIENT OF TANK AND HOLDS ALUMITANK HARMLESS.

CUSTOMER NAME: \_\_\_\_\_

SIDE OF TRUCK: \_\_\_\_\_

SHOP #: \_\_\_\_\_

PARTS: \_\_\_\_\_

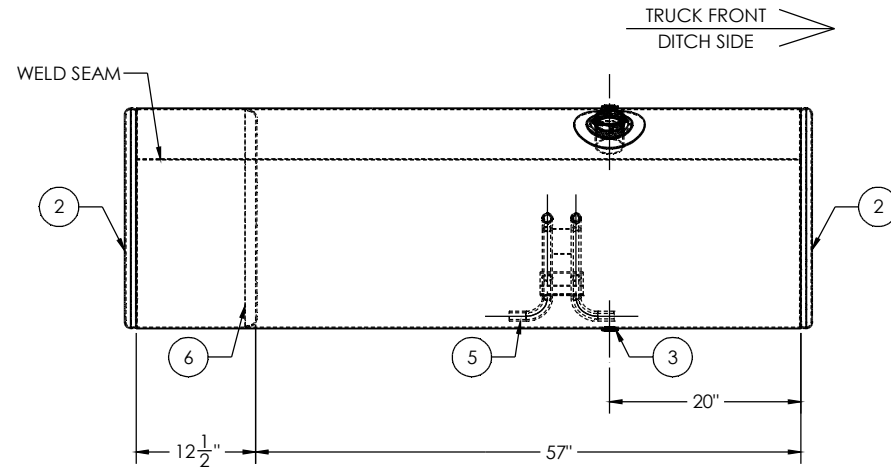
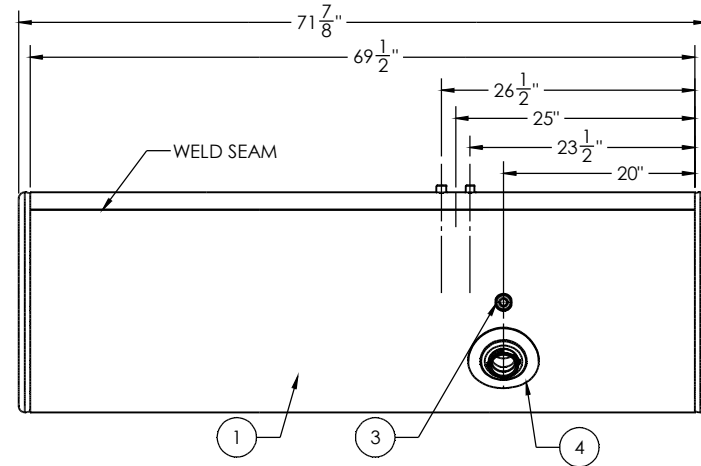
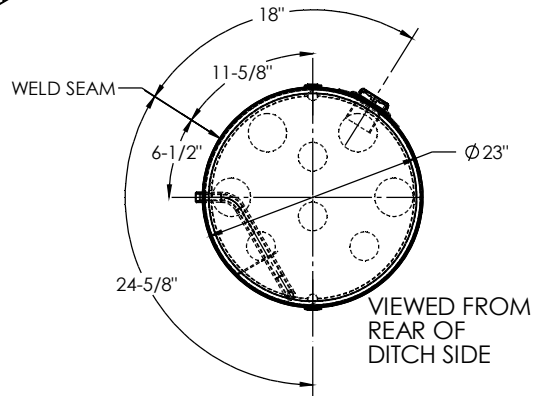
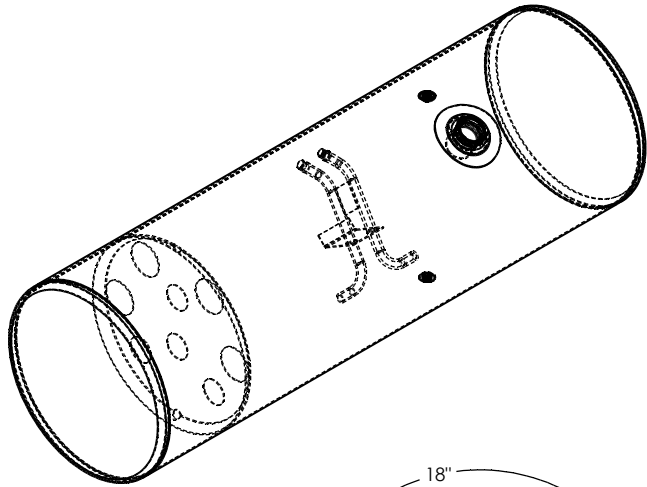
FINISH: \_\_\_\_\_

CAPACITY: \_\_\_\_\_

SERIAL #: \_\_\_\_\_

CHASSIS STYLE: \_\_\_\_\_

SHIP DATE: \_\_\_\_\_



ITEM NO.	PART NUMBER	DESCRIPTION	QTY.
1	BRL-197238	1/8" TANK BARREL	1
2	ECP-3680012100	23" MILGRADE ALUMINUM END CAP	2
3	FLG-050220	1/2" NPTF MILGRADE ALUMINUM FLANGE	2
4	FLN-20022240	MILGRADE ALUMINUM FREIGHTLINER CAM LOCK FILL NECK - ROUND	1
5	DTA-22236800	23" DITCH FREIGHTLINER TUBE ASSEMBLY	1
6	BAF-2300-16885	SPLASH BAFFLE	1

SIZE		REV	QC	INITIALS	UNLESS OTHERWISE SPECIFIED:	DRAWN	NAME	DATE
<b>C</b>			PSI		DIMENSIONS ARE IN INCHES	CHECKED		
			DIMS		TOLERANCES	ENG APPR.		
			PARTS		FRACTIONS	MFG APPR.		
			TAG		ANGULAR MATCH BEND	D.A.		
			PKG		TWO PLACE DECIMAL	COMMENTS:		
					THREE PLACE DECIMAL			
				INTERPRET GEOMETRIC TOLERANCING PER:				
				MATERIAL:				
				5052 H32 ALUMINUM				
				FINISH: SEE BOM				
				DO NOT SCALE DRAWING				

**AlumiTank**  
THE FUEL TANK SPECIALISTS

11317 N. US HWY 14 HARVARD, IL 60033 815-943-6649

800-652-6630 FAX 855-774-6918 WWW.ALUMITANK.COM INFO@ALUMITANK.COM

DWG. NO. **197238**

SCALE: 1:10 | WEIGHT: | SHEET 1 OF 1