

CUSTOMER SIGNATURE: _____

DATE: _____

CUSTOMER NAME: _____

SIDE OF TRUCK: _____

SHOP #: _____

PARTS: _____

FINISH: _____

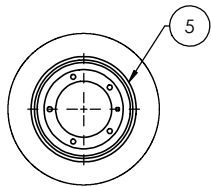
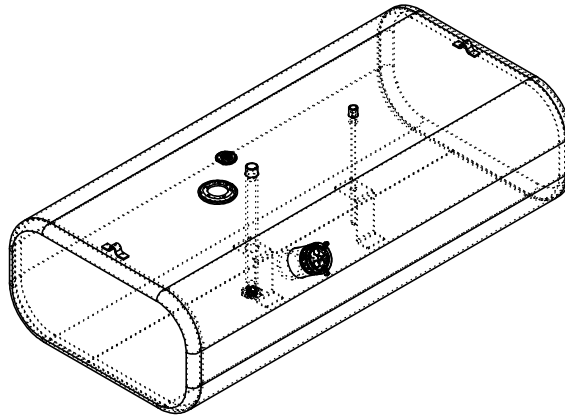
CAPACITY: _____

SERIAL #: _____

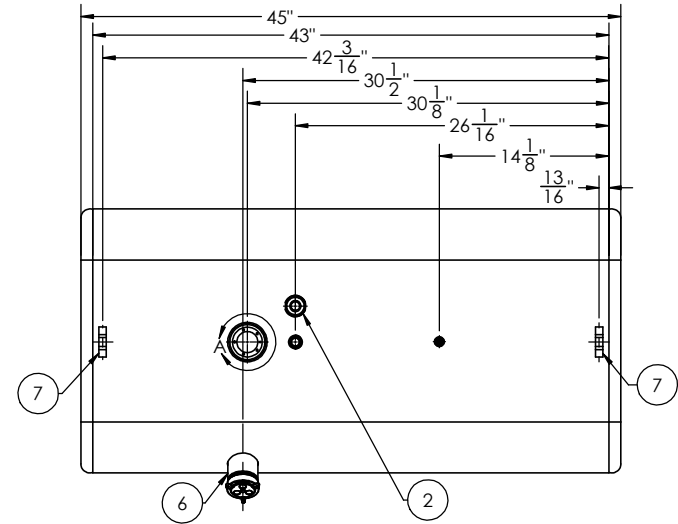
CHASSIS STYLE: _____

SHIP DATE: _____

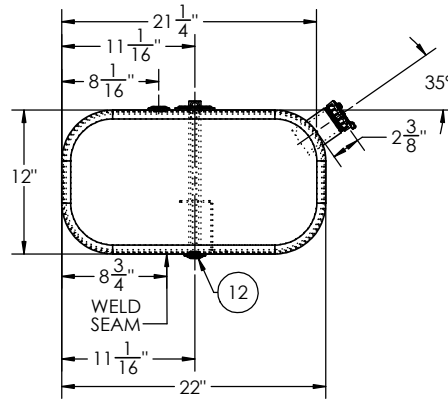
IN AN EFFORT TO ENSURE ACCURACY, PLEASE REVIEW YOUR DRAWING DIMENSIONS AND FITTING SIZES FOR POSSIBLE ERRORS AND OMISSIONS. CALL WITH ANY CORRECTIONS BEFORE SIGNING THIS DRAWING. ALL TANKS DESIGNED AND/OR BUILT, IN PART OR COMPLETE, BY ALUMITANK OR ANY OF ITS PEOPLE ARE CERTIFIED FOR USE ONLY WITH DISTILLATE, HYDRAULIC, OR WATER. ANY VARIATIONS OF USE OR MODIFICATIONS OF THE TANK ARE PROHIBITED. CUSTOMER SIGNATURE ON DOCUMENT/DRAWING INDICATES AGREEMENT BY SIGNER OR RECIPIENT OF TANK AND HOLDS ALUMITANK HARMLESS.



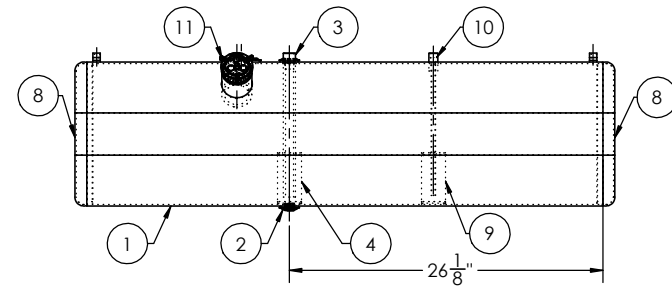
DETAIL A
SCALE 1 : 3



TRUCK FRONT
DITCH SIDE →



VIEWED FROM REAR
OF DITCH SIDE



ITEM NO.	PART NUMBER	DESCRIPTION	QTY.
1	BRL-03-33205-001	1/8" TANK BARREL	1
2	FLG-050220	1/2" NPTF MILGRADE ALUMINUM FLANGE	2
3	TBS-503200	1/2" NPTF STRAIGHT ALUMINUM TUBE	1
4	STR-001 (FLAT 1.125)	SMALL TUBE STABILIZER (1.125)	1
5	BSE-00182230	FLAT MILGRADE ALUMINUM SENDER BASE	1
6	FLN-0641012230	4" LONG - 2" NPSM - 11.5 TPI MILGRADE ALUMINUM FILL NECK	1
7	MSC-001	MILGRADE ALUMINUM HOSE CLIP	2
8	ECP-019235212600	12" X 22" MILGRADE ALUMINUM RECTANGULAR END CAP	2
9	STR-024	SMALL TUBE STABILIZER FOR 3/8 OD TUBE	1
10	TBS-303201000	1/4" NPTF STRAIGHT ALUMINUM TUBE TYPE 1	1
11	FCP-1330 (600133)	2" NON-VENTED, NON-LOCK CAP	1
12	94135	1/2" SOCKET PIPE PLUG 3/4" TAPER NPTF ZINC	1

ALUMITANK PART NUMBER: AT-FL-2025

TITLE:		UNLESS OTHERWISE SPECIFIED:		NAME	DATE
SIZE C	REV	QC	INITIALS	DRAWN	
		PSI		CHECKED	
		DIMS		ENG APPR.	
		PARTS		MFG APPR.	
TAG		MATERIAL	5052 H32 ALUMINUM		
PKG		FINISH	SEE BOM		
		DIMENSIONS ARE IN INCHES TOLERANCES: FRACTIONS: ± ANGULAR: MACH ± BEND ± TWO PLACE DECIMAL THREE PLACE DECIMAL ±		COMMENTS:	
		INTERPRET GEOMETRIC TOLERANCING PER:		G.A.	
		THE INFORMATION CONTAINED IN THIS DRAWING IS THE SOLE PROPERTY OF ALUMITANK. ANY REPRODUCTION IN PART OR AS A WHOLE WITHOUT THE WRITTEN PERMISSION OF ALUMITANK IS PROHIBITED.		11317 N. US HWY 14 HARVARD, IL 60033 800-652-6630 FAX 855-774-6918 WWW.ALUMITANK.COM INFO@ALUMITANK.COM	
				DWG. NO. 03-33205-001	
				SCALE: 1:8 WEIGHT: SHEET 1 OF 1	