

CUSTOMER SIGNATURE: _____

DATE: _____

IN AN EFFORT TO ENSURE ACCURACY, PLEASE REVIEW YOUR DRAWING DIMENSIONS AND FITTING SIZES FOR POSSIBLE ERRORS AND OMISSIONS. CALL WITH ANY CORRECTIONS BEFORE SIGNING THIS DRAWING. ALL TANKS DESIGNED AND/OR BUILT, IN PART OR COMPLETE, BY ALUMITANK OR ANY OF ITS PEOPLE ARE CERTIFIED FOR USE ONLY WITH DISTILLATE, HYDRAULIC, OR WATER. ANY VARIATIONS OF USE OR MODIFICATIONS OF THE TANK ARE PROHIBITED. CUSTOMER SIGNATURE ON DOCUMENT/DRAWING INDICATES AGREEMENT BY SIGNER OR RECIPIENT OF TANK AND HOLDS ALUMITANK HARMLESS.

CUSTOMER NAME:

SIDE OF TRUCK:

SHOP #:

PARTS:

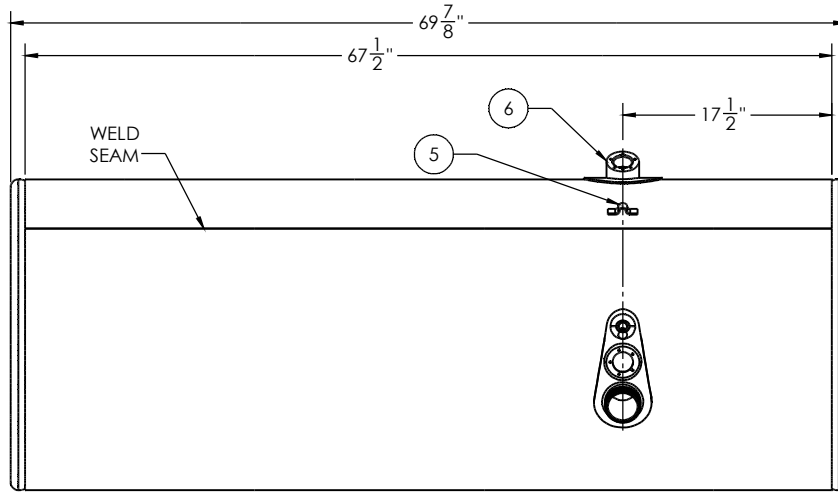
FINISH:

CAPACITY:

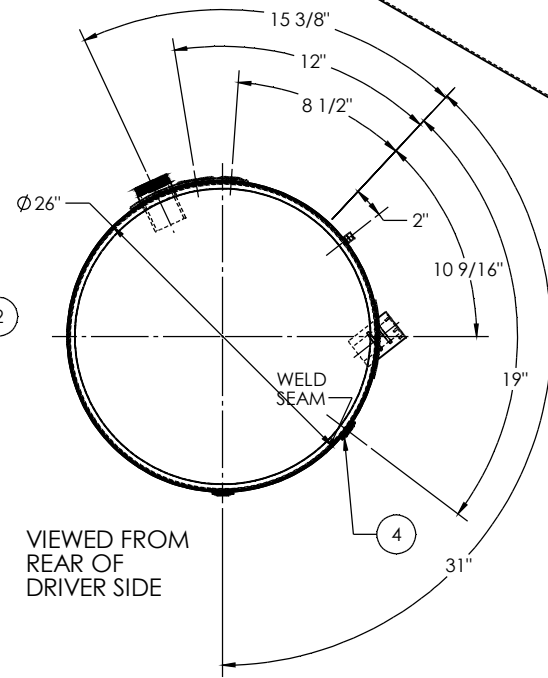
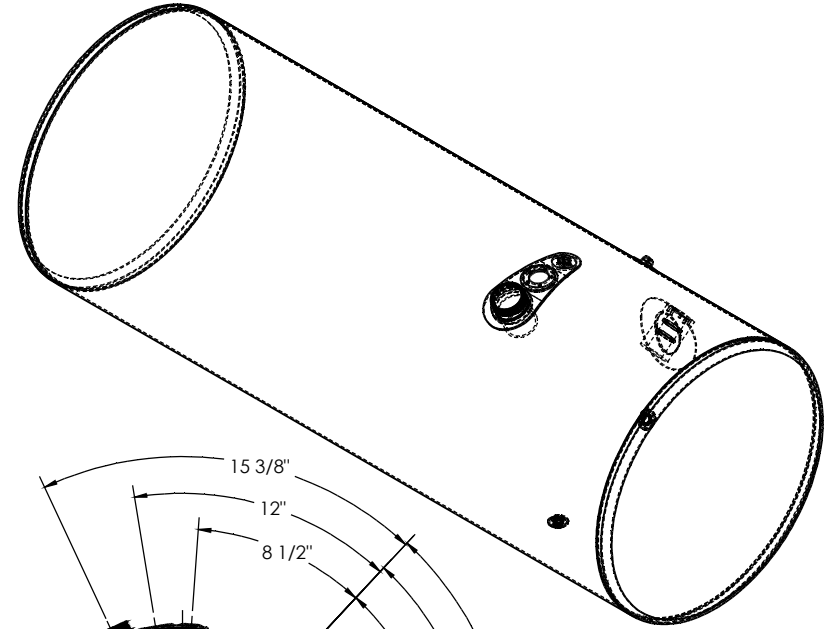
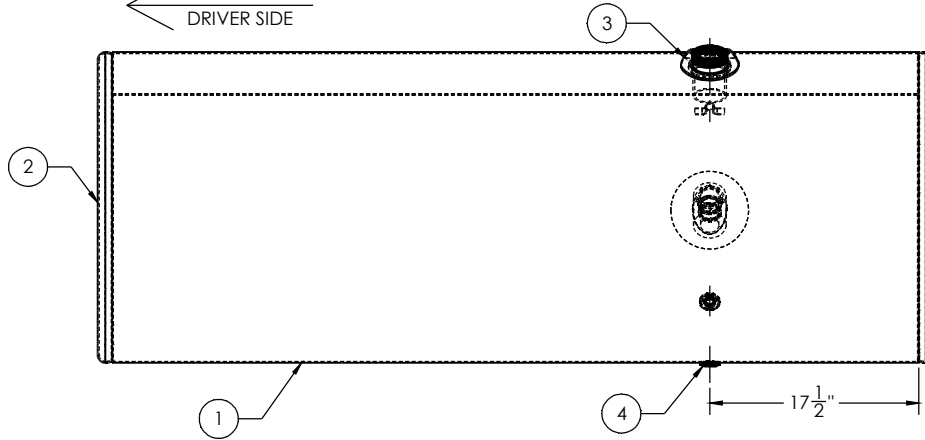
SERIAL #:

CHASSIS STYLE:

SHIP DATE:



TRUCK FRONT
DRIVER SIDE



VIEWED FROM
REAR OF
DRIVER SIDE

ITEM NO.	PART NUMBER	DESCRIPTION	AT-VO-1003/QTY.
1	BRL-AT-VO-6750	1/8" TANK BARREL	1
2	ECP-4160012100	26" MILGRADE ALUMINUM END CAP	2
3	FLN-1301112200	2 1/2" NPSM MILGRADE ALUMINUM VOLVO FILL NECK	1
4	FLG-050220	1/2" NPTF MILGRADE ALUMINUM FLANGE	2
5	MSC-001	MILGRADE ALUMINUM HOSE CLIP	1
6	MSC-024	VOLVO HEATER FLANGE	1

TITLE:		UNLESS OTHERWISE SPECIFIED:		DRAWN		NAME		DATE	
SIZE C	REV	QC	INITIALS	DIMENSIONS ARE IN INCHES	CHECKED				
		PSI		TOLERANCES:	ENG APPR.				
		DIMS		FRACTIONS: ±	MEG APPR.				
		PARTS		ANGULAR: MATCH BEND ±	D.A.				
TAG		THREE PLACE DECIMAL: ±	COMMENTS:						
PKG		INTERPRET GEOMETRIC TOLERANCING PER:	MATERIAL: 5052 H32 ALUMINUM						
PROPERTY AND CONFIDENTIAL			FINISH: SEE BOM			DO NOT SCALE DRAWING			
THE INFORMATION CONTAINED IN THIS DRAWING IS THE SOLE PROPERTY OF ALUMITANK. ANY REPRODUCTION IN PART OR AS A WHOLE WITHOUT THE WRITTEN PERMISSION OF ALUMITANK IS PROHIBITED.									
						11317 N. US HWY 14 HARVARD, IL 60033 815-943-6649 800-652-6630 FAX 855-774-6918 WWW.ALUMITANK.COM INFO@ALUMITANK.COM			
						DWG. NO. AT-VO-1003 SCALE: 1:8 WEIGHT: SHEET 1 OF 1			