

CUSTOMER SIGNATURE: _____

DATE: _____

IN AN EFFORT TO ENSURE ACCURACY, PLEASE REVIEW YOUR DRAWING DIMENSIONS AND FITTING SIZES FOR POSSIBLE ERRORS AND OMISSIONS. CALL WITH ANY CORRECTIONS BEFORE SIGNING THIS DRAWING. ALL TANKS DESIGNED AND/OR BUILT, IN PART OR COMPLETE, BY ALUMITANK OR ANY OF ITS PEOPLE ARE CERTIFIED FOR USE ONLY WITH DISTILLATE, HYDRAULIC, OR WATER. ANY VARIATIONS OF USE OR MODIFICATIONS OF THE TANK ARE PROHIBITED. CUSTOMER SIGNATURE ON DOCUMENT/DRAWING INDICATES AGREEMENT BY SIGNER OR RECIPIENT OF TANK AND HOLDS ALUMITANK HARMLESS.

CUSTOMER NAME:

SIDE OF TRUCK:

SHOP #:

PARTS:

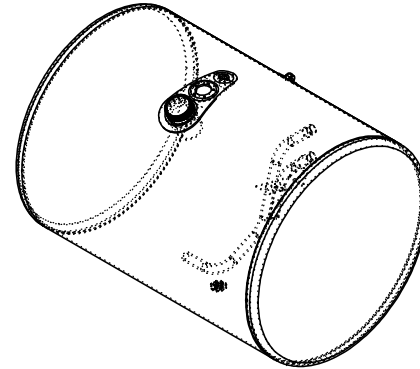
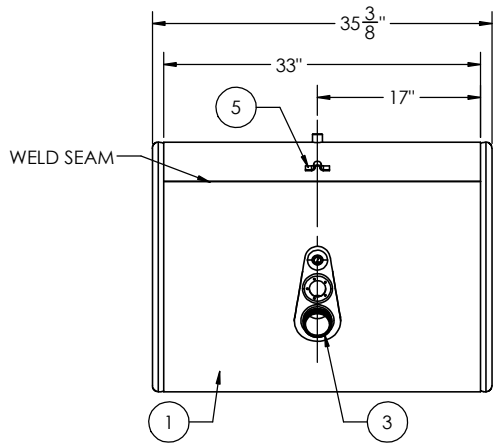
FINISH:

CAPACITY:

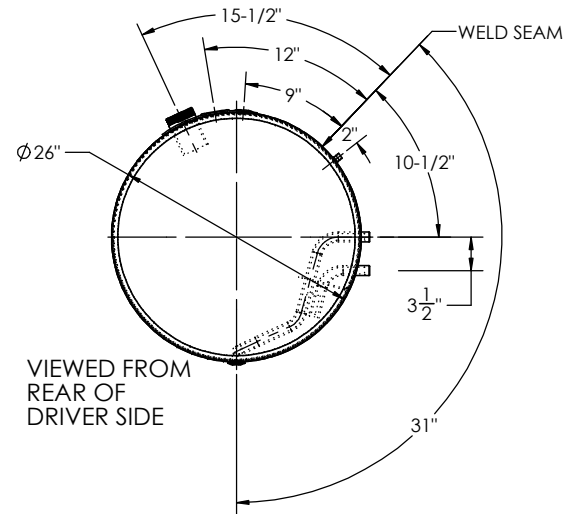
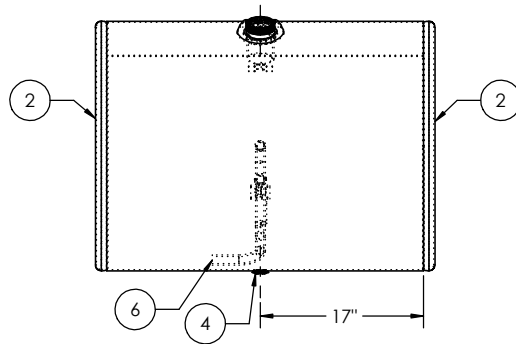
SERIAL #:

CHASSIS STYLE:

SHIP DATE:



TRUCK FRONT
DRIVER SIDE



VIEWED FROM
REAR OF
DRIVER SIDE

ITEM NO.	PART NUMBER	DESCRIPTION	QTY.
1	BRL-21161044	1/8" TANK BARREL	1
2	ECP-4160012100	26" MILGRADE ALUMINUM END CAP	2
3	FLN-130112200	2 1/2" NPSM MILGRADE ALUMINUM VOLVO FILL NECK	1
4	FLG-050220	1/2" NPTF MILGRADE ALUMINUM FLANGE	1
5	MSC-001	MILGRADE ALUMINUM HOSE CLIP	1
6	DTA-113241600	26" LEFT VOLVO STYLE TUBE ASSEMBLY	1

TITLE:		UNLESS OTHERWISE SPECIFIED:		NAME	DATE
SIZE C	REV	QC	INITIALS	DRAWN	
		PSI		CHECKED	
		DIMS		ENG APPR.	
PARTS		MFG APPR.		COMMENTS:	
TAG		MATERIAL 5052 H32 ALUMINUM		11317 N. US HWY 14 800-652-6630	
PKG		FINISH SEE BOM		HARVARD, IL 60033 FAX 855-774-6918	
		DO NOT SCALE DRAWING		WWW.ALUMITANK.COM	
				815-943-6649	
				INFO@ALUMITANK.COM	
				DWG. NO. 21161044	
				SCALE: 1:10 WEIGHT: SHEET 1 OF 1	

